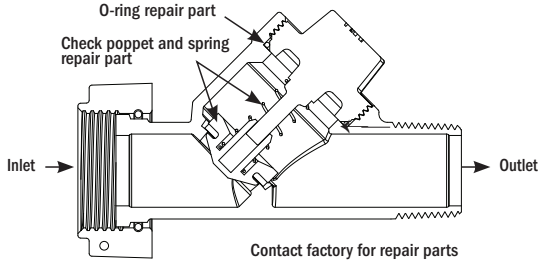




Installation Instructions  
**Accessible Single Check Backflow Preventers/Device**

**COMPONENTS & REPAIR PARTS**



**7101 Series - Model Number Explanation**

<b>SPACE 1, 2, 3, &amp; 4</b> Basic Single Check Valve Model Number: 7101 = Accessible Inline Single Check	<b>SPACE 7</b> Inlet Connection Type: H - Meter Swivel Integral with Saddle J - Meter Swivel Integral	<b>SPACE 10</b> Thread Size of Meter Swivel Nut METER SIZE    THREAD SIZE    METER DESIGNATION 5/8"    3/4"    3 5/8" X 3/4"    1"    4 3/4"    1"    4 1"    1 1/4"    5
<b>SPACE 5</b> (-) Standard	<b>SPACE 8</b> Outlet Connection Type: P - Male Iron Pipe Integral	<b>SPACE 11</b> Sizes for Outlet Connections: 3/4" = 3, 1" = 4
<b>SPACE 6</b> Single Check Valve Size: 3 = 3/4", 4 = 1"	<b>SPACE 9</b> Blank	

**HOW TO ORDER**

Not all sizes or combinations available - contact factory.

UNIT REQUIRED (Example):  
- Accessible Inline Single Check    - Inlet - Meter swivel integral (5/8 x 3/4 meter)  
- Valve size 3/4"    - Outlet - MNPT integral 3/4"

**Order Model 7101-3JP 43**

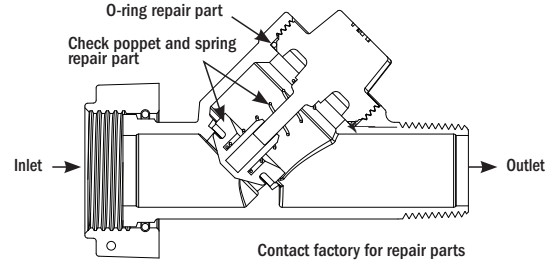
SPACE 1, 2, 3, & 4	SPACE 5	SPACE 6	SPACE 7	SPACE 8	SPACE 9	SPACE 10	SPACE 11
7101	-	3	J	P		4	3

(Installation and test procedures on opposite side)



Installation Instructions  
**Accessible Single Check Backflow Preventers/Device**

**COMPONENTS & REPAIR PARTS**



**7101 Series - Model Number Explanation**

<b>SPACE 1, 2, 3, &amp; 4</b> Basic Single Check Valve Model Number: 7101 = Accessible Inline Single Check	<b>SPACE 7</b> Inlet Connection Type: H - Meter Swivel Integral with Saddle J - Meter Swivel Integral	<b>SPACE 10</b> Thread Size of Meter Swivel Nut METER SIZE    THREAD SIZE    METER DESIGNATION 5/8"    3/4"    3 5/8" X 3/4"    1"    4 3/4"    1"    4 1"    1 1/4"    5
<b>SPACE 5</b> (-) Standard	<b>SPACE 8</b> Outlet Connection Type: P - Male Iron Pipe Integral	<b>SPACE 11</b> Sizes for Outlet Connections: 3/4" = 3, 1" = 4
<b>SPACE 6</b> Single Check Valve Size: 3 = 3/4", 4 = 1"	<b>SPACE 9</b> Blank	

**HOW TO ORDER**

Not all sizes or combinations available - contact factory.

UNIT REQUIRED (Example):  
- Accessible Inline Single Check    - Inlet - Meter swivel integral (5/8 x 3/4 meter)  
- Valve size 3/4"    - Outlet - MNPT integral 3/4"

**Order Model 7101-3JP 43**

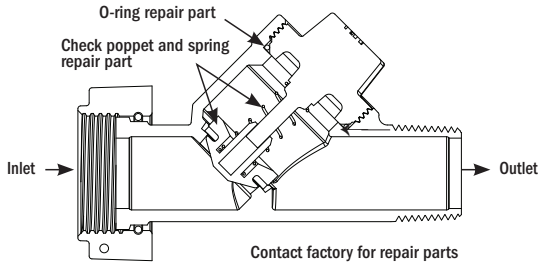
SPACE 1, 2, 3, & 4	SPACE 5	SPACE 6	SPACE 7	SPACE 8	SPACE 9	SPACE 10	SPACE 11
7101	-	3	J	P		4	3

(Installation and test procedures on opposite side)



Installation Instructions  
**Accessible Single Check Backflow Preventers/Device**

**COMPONENTS & REPAIR PARTS**



**7101 Series - Model Number Explanation**

<b>SPACE 1, 2, 3, &amp; 4</b> Basic Single Check Valve Model Number: 7101 = Accessible Inline Single Check	<b>SPACE 7</b> Inlet Connection Type: H - Meter Swivel Integral with Saddle J - Meter Swivel Integral	<b>SPACE 10</b> Thread Size of Meter Swivel Nut METER SIZE    THREAD SIZE    METER DESIGNATION 5/8"    3/4"    3 5/8" X 3/4"    1"    4 3/4"    1"    4 1"    1 1/4"    5
<b>SPACE 5</b> (-) Standard	<b>SPACE 8</b> Outlet Connection Type: P - Male Iron Pipe Integral	<b>SPACE 11</b> Sizes for Outlet Connections: 3/4" = 3, 1" = 4
<b>SPACE 6</b> Single Check Valve Size: 3 = 3/4", 4 = 1"	<b>SPACE 9</b> Blank	

**HOW TO ORDER**

Not all sizes or combinations available - contact factory.

UNIT REQUIRED (Example):  
- Accessible Inline Single Check    - Inlet - Meter swivel integral (5/8 x 3/4 meter)  
- Valve size 3/4"    - Outlet - MNPT integral 3/4"

**Order Model 7101-3JP 43**

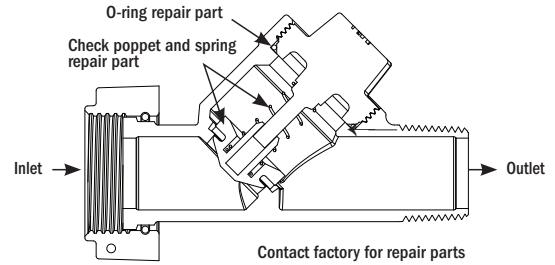
SPACE 1, 2, 3, & 4	SPACE 5	SPACE 6	SPACE 7	SPACE 8	SPACE 9	SPACE 10	SPACE 11
7101	-	3	J	P		4	3

(Installation and test procedures on opposite side)



Installation Instructions  
**Accessible Single Check Backflow Preventers/Device**

**COMPONENTS & REPAIR PARTS**



**7101 Series - Model Number Explanation**

<b>SPACE 1, 2, 3, &amp; 4</b> Basic Single Check Valve Model Number: 7101 = Accessible Inline Single Check	<b>SPACE 7</b> Inlet Connection Type: H - Meter Swivel Integral with Saddle J - Meter Swivel Integral	<b>SPACE 10</b> Thread Size of Meter Swivel Nut METER SIZE    THREAD SIZE    METER DESIGNATION 5/8"    3/4"    3 5/8" X 3/4"    1"    4 3/4"    1"    4 1"    1 1/4"    5
<b>SPACE 5</b> (-) Standard	<b>SPACE 8</b> Outlet Connection Type: P - Male Iron Pipe Integral	<b>SPACE 11</b> Sizes for Outlet Connections: 3/4" = 3, 1" = 4
<b>SPACE 6</b> Single Check Valve Size: 3 = 3/4", 4 = 1"	<b>SPACE 9</b> Blank	

**HOW TO ORDER**

Not all sizes or combinations available - contact factory.

UNIT REQUIRED (Example):  
- Accessible Inline Single Check    - Inlet - Meter swivel integral (5/8 x 3/4 meter)  
- Valve size 3/4"    - Outlet - MNPT integral 3/4"

**Order Model 7101-3JP 43**

SPACE 1, 2, 3, & 4	SPACE 5	SPACE 6	SPACE 7	SPACE 8	SPACE 9	SPACE 10	SPACE 11
7101	-	3	J	P		4	3

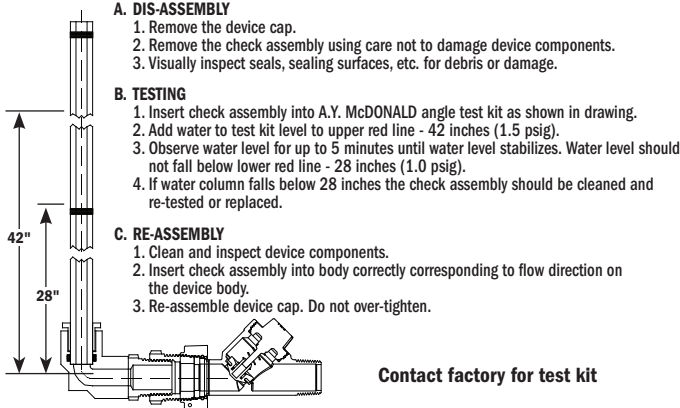
(Installation and test procedures on opposite side)



Installation Instructions  
**Accessible Single Check Backflow Preventers/Device**

1. Use only for residential and mobile home supply service or individual outlets.
2. The device can be installed in any position.
3. The device shall be installed in an accessible location to facilitate the removal for servicing and testing.
4. Service lines should be thoroughly flushed before installing the device. Excessive pipe sealant or Teflon tape may foul check. A suitable strainer should be installed upstream of the device.
5. DO NOT use Vaseline®, plumber's grease, or any other petroleum based product on seals or o-rings.
6. A pressure relief valve or expansion tank is recommended downstream of device if thermal expansion conditions are possible.
7. Do not over-tighten O-ring cap seal.
8. Any sweat fittings must be completed before installing device.
9. A pressure relief valve or expansion tank is recommended downstream of device if thermal expansion conditions are possible.
10. Use only on cold water services. Protect from freezing.
11. This device is not recommended for pressures exceeding 175 PSI.

**Field Inspection & Test Procedure**



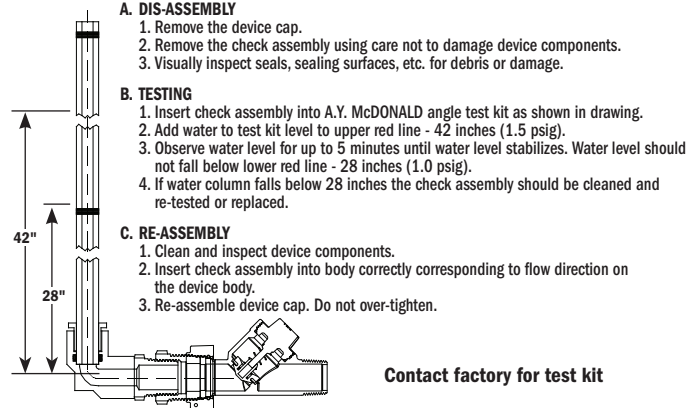
**WARNING:** It is unlawful in CALIFORNIA & VERMONT (effective 1/1/2010); MARYLAND (effective 1/1/2012); LOUISIANA (effective 1/1/2013) and the UNITED STATES OF AMERICA (effective 1/4/2014) to use any product in the installation or repair of any public water system or any plumbing in a facility or system that provides water for human consumption if the wetted surface area of the product has a weighted average lead content greater than 0.25%. This prohibition does not extend to service saddles used in California, Louisiana or under USA Public Law 111-380.



Installation Instructions  
**Accessible Single Check Backflow Preventers/Device**

1. Use only for residential and mobile home supply service or individual outlets.
2. The device can be installed in any position.
3. The device shall be installed in an accessible location to facilitate the removal for servicing and testing.
4. Service lines should be thoroughly flushed before installing the device. Excessive pipe sealant or Teflon tape may foul check. A suitable strainer should be installed upstream of the device.
5. DO NOT use Vaseline®, plumber's grease, or any other petroleum based product on seals or o-rings.
6. A pressure relief valve or expansion tank is recommended downstream of device if thermal expansion conditions are possible.
7. Do not over-tighten O-ring cap seal.
8. Any sweat fittings must be completed before installing device.
9. A pressure relief valve or expansion tank is recommended downstream of device if thermal expansion conditions are possible.
10. Use only on cold water services. Protect from freezing.
11. This device is not recommended for pressures exceeding 175 PSI.

**Field Inspection & Test Procedure**



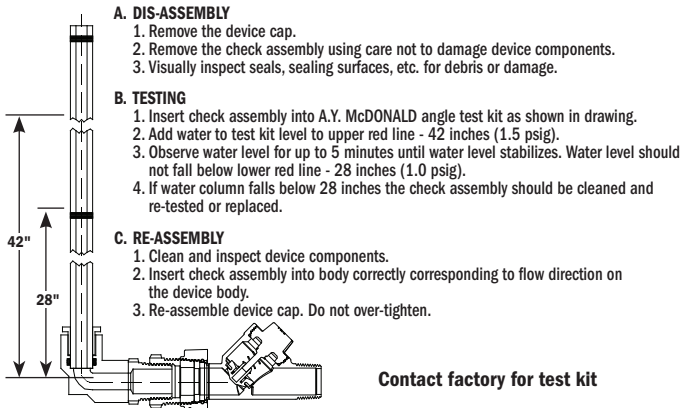
**WARNING:** It is unlawful in CALIFORNIA & VERMONT (effective 1/1/2010); MARYLAND (effective 1/1/2012); LOUISIANA (effective 1/1/2013) and the UNITED STATES OF AMERICA (effective 1/4/2014) to use any product in the installation or repair of any public water system or any plumbing in a facility or system that provides water for human consumption if the wetted surface area of the product has a weighted average lead content greater than 0.25%. This prohibition does not extend to service saddles used in California, Louisiana or under USA Public Law 111-380.



Installation Instructions  
**Accessible Single Check Backflow Preventers/Device**

1. Use only for residential and mobile home supply service or individual outlets.
2. The device can be installed in any position.
3. The device shall be installed in an accessible location to facilitate the removal for servicing and testing.
4. Service lines should be thoroughly flushed before installing the device. Excessive pipe sealant or Teflon tape may foul check. A suitable strainer should be installed upstream of the device.
5. DO NOT use Vaseline®, plumber's grease, or any other petroleum based product on seals or o-rings.
6. A pressure relief valve or expansion tank is recommended downstream of device if thermal expansion conditions are possible.
7. Do not over-tighten O-ring cap seal.
8. Any sweat fittings must be completed before installing device.
9. A pressure relief valve or expansion tank is recommended downstream of device if thermal expansion conditions are possible.
10. Use only on cold water services. Protect from freezing.
11. This device is not recommended for pressures exceeding 175 PSI.

**Field Inspection & Test Procedure**



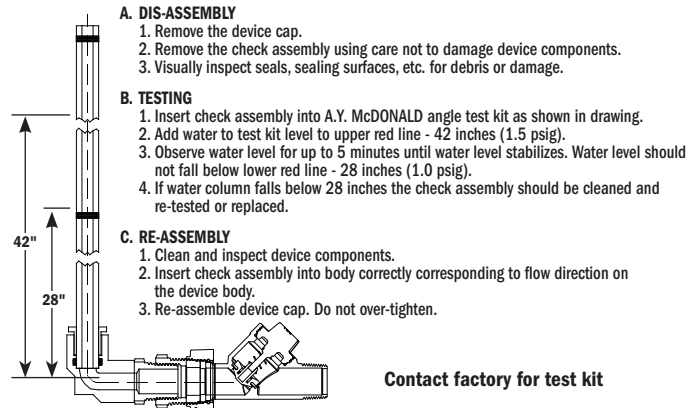
**WARNING:** It is unlawful in CALIFORNIA & VERMONT (effective 1/1/2010); MARYLAND (effective 1/1/2012); LOUISIANA (effective 1/1/2013) and the UNITED STATES OF AMERICA (effective 1/4/2014) to use any product in the installation or repair of any public water system or any plumbing in a facility or system that provides water for human consumption if the wetted surface area of the product has a weighted average lead content greater than 0.25%. This prohibition does not extend to service saddles used in California, Louisiana or under USA Public Law 111-380.



Installation Instructions  
**Accessible Single Check Backflow Preventers/Device**

1. Use only for residential and mobile home supply service or individual outlets.
2. The device can be installed in any position.
3. The device shall be installed in an accessible location to facilitate the removal for servicing and testing.
4. Service lines should be thoroughly flushed before installing the device. Excessive pipe sealant or Teflon tape may foul check. A suitable strainer should be installed upstream of the device.
5. DO NOT use Vaseline®, plumber's grease, or any other petroleum based product on seals or o-rings.
6. A pressure relief valve or expansion tank is recommended downstream of device if thermal expansion conditions are possible.
7. Do not over-tighten O-ring cap seal.
8. Any sweat fittings must be completed before installing device.
9. A pressure relief valve or expansion tank is recommended downstream of device if thermal expansion conditions are possible.
10. Use only on cold water services. Protect from freezing.
11. This device is not recommended for pressures exceeding 175 PSI.

**Field Inspection & Test Procedure**



**WARNING:** It is unlawful in CALIFORNIA & VERMONT (effective 1/1/2010); MARYLAND (effective 1/1/2012); LOUISIANA (effective 1/1/2013) and the UNITED STATES OF AMERICA (effective 1/4/2014) to use any product in the installation or repair of any public water system or any plumbing in a facility or system that provides water for human consumption if the wetted surface area of the product has a weighted average lead content greater than 0.25%. This prohibition does not extend to service saddles used in California, Louisiana or under USA Public Law 111-380.